

# BLADE<sup>®</sup> mCP X

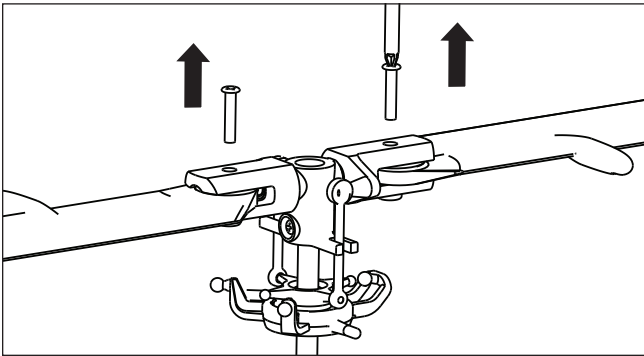
## Replacing the Main Rotor Head

This manual contains instructions for correctly replacing the Main Rotor Head on your Blade<sup>®</sup> mCP X. The instructions require basic technical knowledge and mechanical skill. The replacement should not be attempted by children. Do not use with incompatible components or augment the product in any way outside of these instructions or those contained in the product manual. Failure to follow each instruction could result in damage to the product, property and/or personal injury.

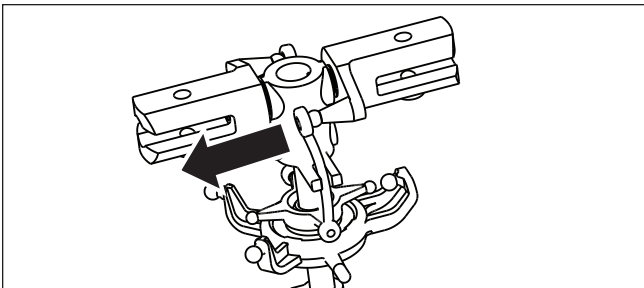
Read ALL instructions. If after reading these instructions you are not confident in your ability to replace the Main Rotor Head, please contact the appropriate Horizon Service Center for further support and, if necessary, a free pre-paid shipping label for replacement by an authorized service technician.

**Horizon Hobby Service Center:** 4105 Fieldstone Rd., Champaign, Illinois, 61822 USA [www.horizonhobby.com/service](http://www.horizonhobby.com/service) (877-504-0233)

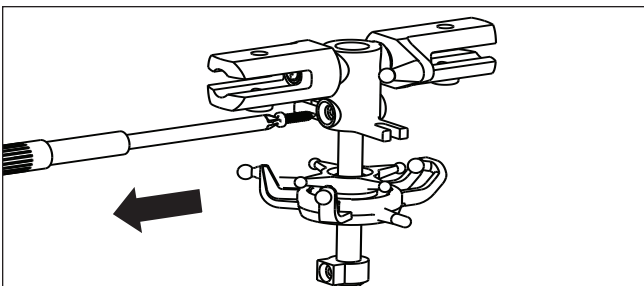
1. Remove both Main Blades using the Phillips screwdriver provided with your helicopter to unscrew the Main Blade Screws.



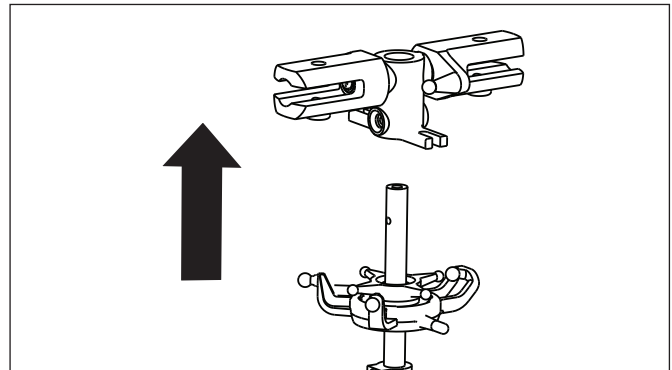
2. Remove the Rotor Head Linkage from both Main Blade Grips.



3. Completely remove the Screw holding the old Main Rotor Hub onto the Main Shaft. Retain the Screw for installation on the new Main Rotor Head.

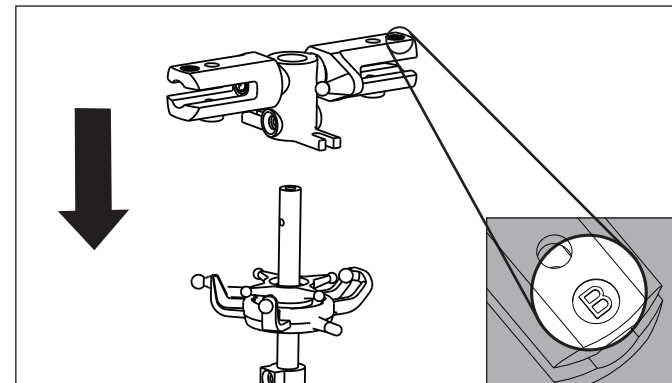


4. Remove the original Main Rotor Assembly from the Main Shaft and discard.



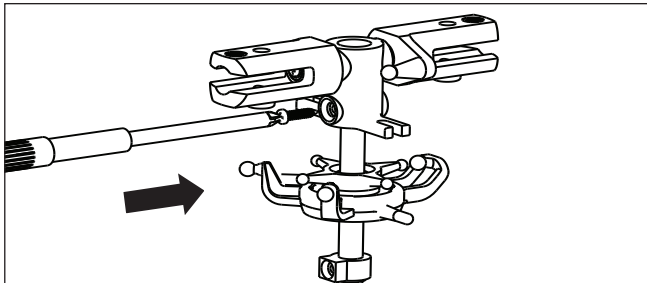
5. Install the new Main Rotor Head by pushing it onto the Main Shaft.

**NOTE:** The letter 'B' is stamped onto the top of the replacement rotor head assembly.

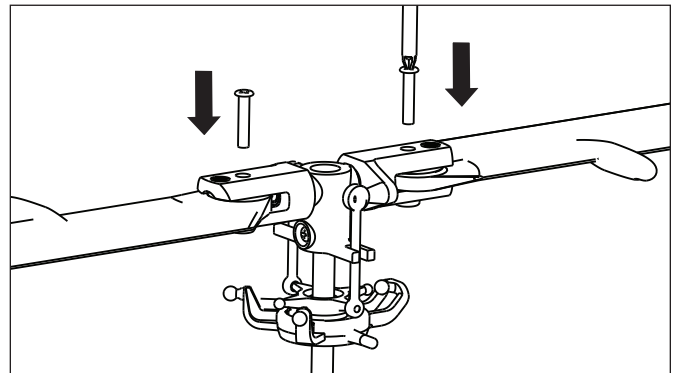


# BLADE<sup>®</sup> MCP<sup>x</sup>

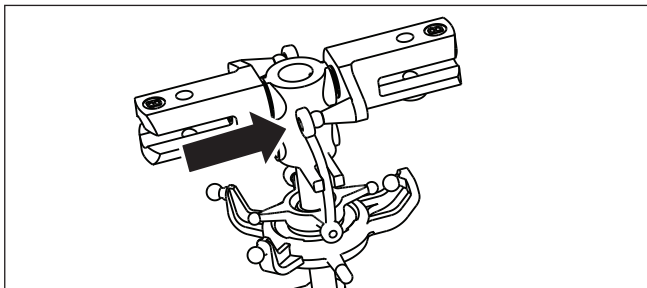
6. Align the top bolt hole in the Main Shaft to the hole in the Main Rotor Hub. Then thread the screw you set aside in Step 3 into the hole in the Main Rotor Hub, and screw it in until it is just seated.



8. Put both Main Blades on the Main Rotor Head by aligning the hole in the blade and the Main Grip. Then screw the Main Blade Bolt in. Tighten the bolt, but allow for the Main Blades to swivel freely in the Main Blade Grip.



7. Push the Rotor Head Linkages back on both of the Main Blade Grips.



## Customer Service Information

Country of Purchase	Horizon Hobby	Address	Phone Number / Email Address
United States of America	Horizon Service Center (Electronics and engines)	4105 Fieldstone Rd Champaign, Illinois 61822 USA	877-504-0233 Online Repair Request: visit <a href="http://www.horizonhobby.com/service">www.horizonhobby.com/service</a>
	Horizon Product Support (All other products)	4105 Fieldstone Rd Champaign, Illinois 61822 USA	877-504-0233 <a href="mailto:productsupport@horizonhobby.com">productsupport@horizonhobby.com</a>
United Kingdom	Horizon Hobby Limited	Units 1-4 Ployters Rd Staple Tye Harlow, Essex, CM18 7NS, United Kingdom	+44 (0) 1279 641 097 <a href="mailto:sales@horizonhobby.co.uk">sales@horizonhobby.co.uk</a>
Germany	Horizon Technischer Service	Hamburger Str. 10 25335 Elmshorn, Germany	+49 4121 46199 66 <a href="mailto:service@horizonhobby.de">service@horizonhobby.de</a>
France	Horizon Hobby SAS	14 Rue Gustave Eiffel Zone d'Activité du Réveil Matin 91230 Montgeron, France	+33 (0) 1 60 47 44 70 <a href="mailto:infofrance@horizonhobby.com">infofrance@horizonhobby.com</a>